



"OUTSIDE IS THE
NEW INSIDE



+1 424-303-6500

145 W Broadway, Long Beach, California 90802, USA

www.arkitan.com







Our connection to the industry runs deep. As foreign licensed architects, we designed and delivered **Schildr Global's** headquarters and factory as a turnkey project.

Following this success, Schildr became a regular client and later invited us to represent their brand in the U.S. as an **official distributor in Southern California.**

Arkitan Outdoor Living offers timeless solutions, designed to elevate both residential and commercial spaces with lasting function and beauty.

ABOUT US

Arkitan Outdoor Living is a family-owned and operated company **led by foreign licensed architects** M.Arch. Onur Tan and M.Arch. Merve Tan. With a shared background in high-end interior architecture and design, we bring decades of experience and precision to every project.



Merve Tan
Founder & Architect



Onur Tan
Owner & Architect



SERVICES

- Custom Made Aluminum Pergola & Sunrooms
- European Exported Outdoor Furnitures
- Interior & Outdoor Design Services



OUR MANUFACTURER

Founded in **2007**, **Schildr Inc.** is an American company specializing in premium sunrooms, pergola systems, and outdoor enclosures made of glass and 100% aluminum.

With a widespread network of distributors and dealers across multiple U.S. states and international markets, Schildr has become a trusted global partner in high-end outdoor living solutions.

A significant portion of production takes place at Schildr's 48,000+ sq ft facility in Turkiye, supported by a dedicated fabrication workshop in the U.S. for local customization and faster logistics.

HEAD OFFICE

SCHILDR INC

info@schildr.com

+1 866 620 30 10

104 W 40th St Suites 400 & 500, New York, NY 10018, USA

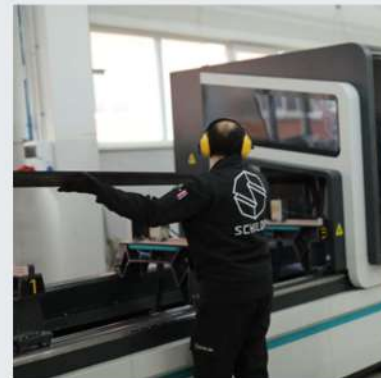
FACTORY

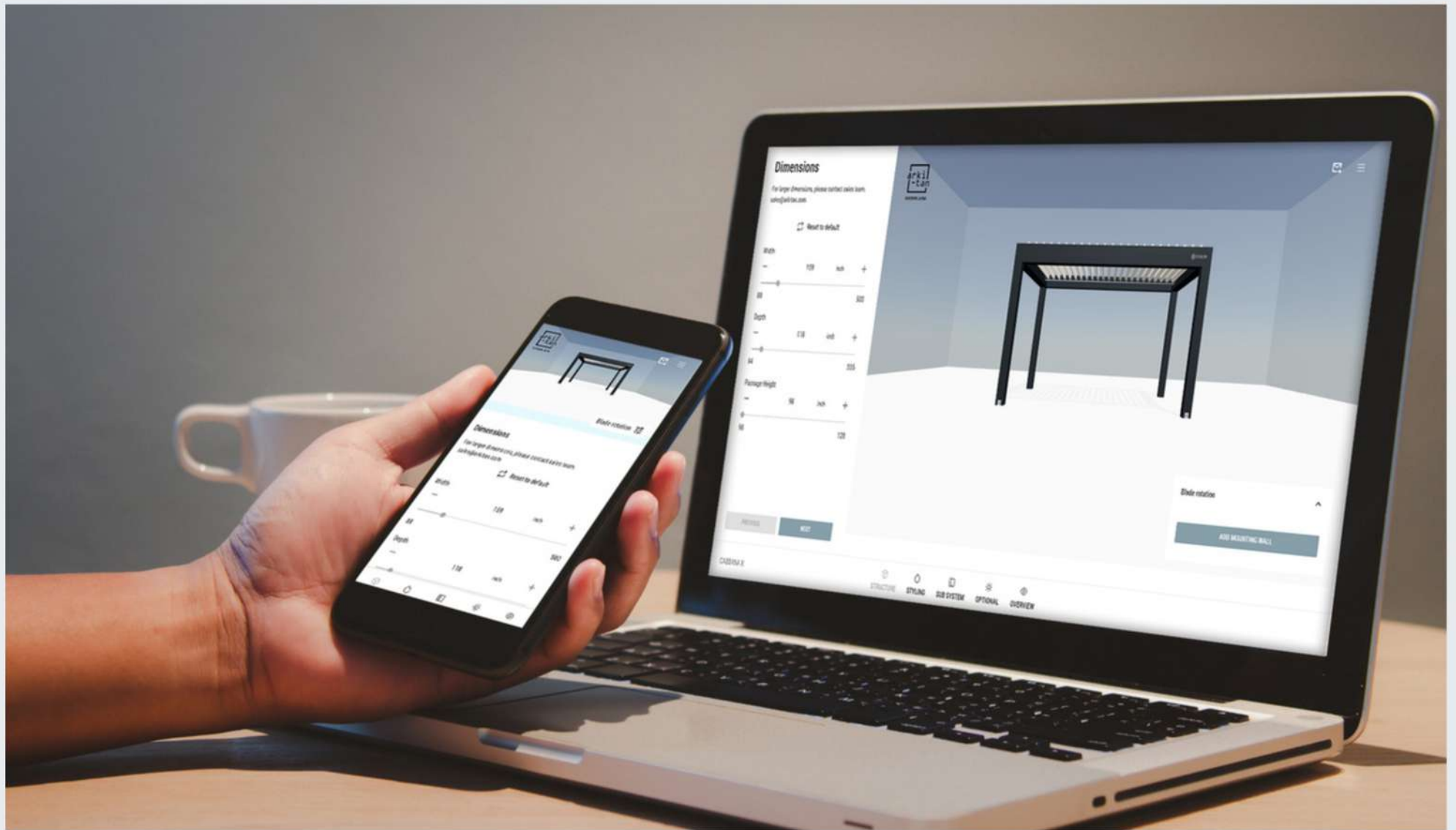
SCHILDR YAPI LIMITED

info@schildr.com.tr

+90 262 744 10 10 , +90 544 399 30 10

Barış dist, 1802. St. No 5 Gebze 41400, Kocaeli/Turkiye





See it. Shape it. Experience it.

Start building it with our 3D Configurator.

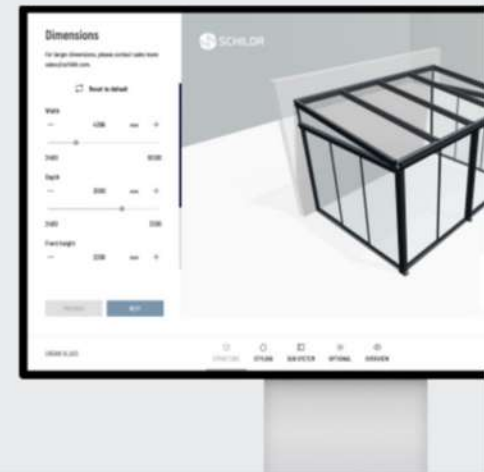
High Quality Aluminum



Available Mobile Integration



Instant Quote Technology





SCHLÖR

PRODUCT RANGE

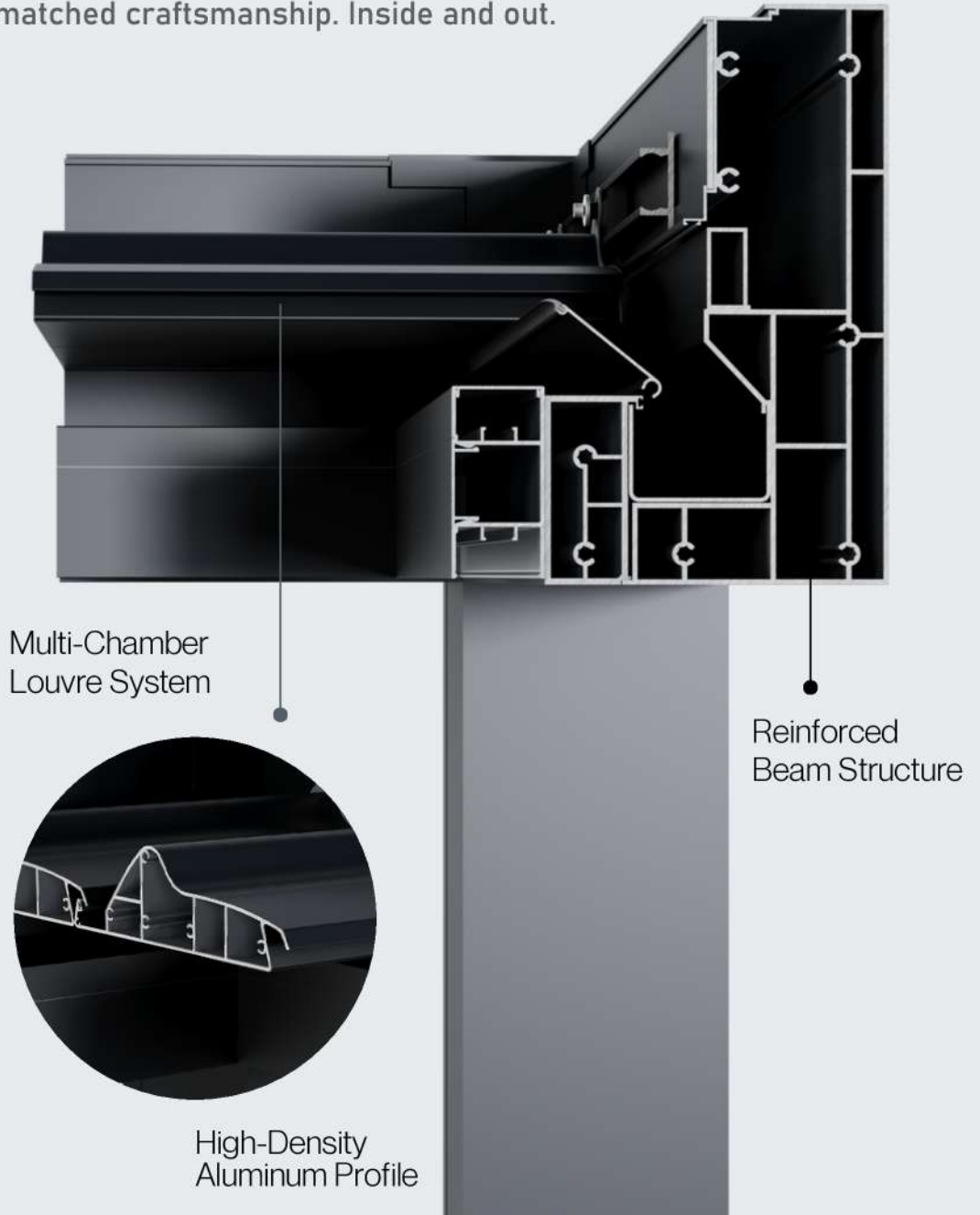
We use the **same structural system** for all of our products, the product name simply changes depending on the **roof type** we use.

Our roof options include **motorized blades** that open and close, **fixed blades**, **glass panels**, or **solid alucobond panels**.

These aluminum structures can be customized with a variety of **glass enclosures**, including sliding, fixed, or motorized guillotine window systems.

We also offer additional features like **motorized blinds**, integrated **lighting**, **fan profiles** and **heaters**.

ENGINEERED BEYOND STANDARDS
Unmatched craftsmanship. Inside and out.



LOUVERED ROOFS

Available shading upgrades:

- Motorized Vertical Blinds (*Forte*)
- Sliding Shutter System (*Zion*)



CABBANA
Motorized
Rotatable Louvered Roof



LANAI
Motorized
Rotatable & Retractable Roof



LENORE
Non-Motorized
Fixed Louvered Roof

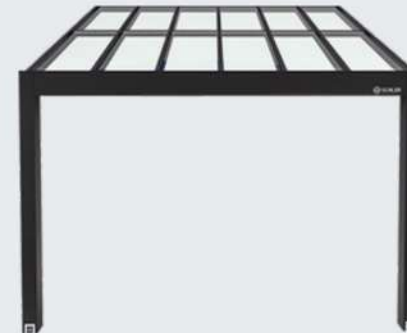
GLASS ROOFS

Shading options include:

- Motorized Vertical Blinds (*Forte*)
- Sliding Shutter System (*Zion*)
- Motorized Roof Blinds (*Capella*)
- Alucobond Roof Panels (*Alupanel*)



PANORA
Flat Glass Roof



GRANDE
Sloped Glass Roof



ROOMY
Gable Glass Roof

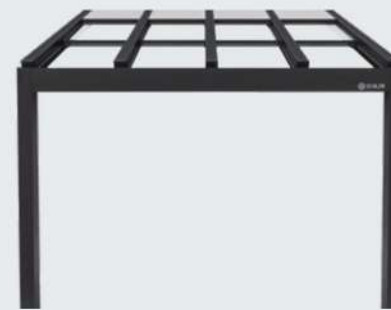


-ALUPANEL

Available as a full-coverage **alternative to glass panels.**



POLAD
Multi-Sloped Glass Roof



DYNAMIC
Motorized Retractable Glass Roof

SUBSYSTEMS

All sliding doors and windows can be fully integrated into any of our roof systems or used as standalone solutions.

Available shading upgrades:

- Motorized Vertical Blinds (*Forte*)
- Sliding Shutter System (*Zion*)



CLASSY
Insulated Double Pane
Sliding Glass



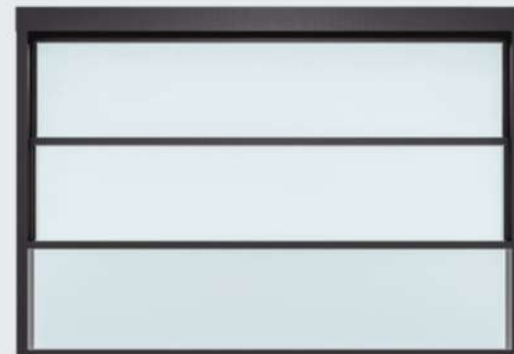
MINIMA
Single Pane
Sliding Glass



BIFOLD
Insulated Double Pane
Folding Glass Panels



LIFT & SLIDE DOOR
Insulated Double Pane
Wide Sliding Glass



COMPACT
Insulated Double Pane
Motorized Guillotine Window

SUNSHADES

Roof Blinds (*Capella*) are compatible with all roof types.

Vertical Blinds (*Zion & Forte*) can be used on their own or integrated with window systems fully adaptable to every structure.



ZION
Sliding Shutter System



FORTE
Motorized Vertical Blinds



CAPELLA
Motorized Roof Blinds



LOUVERED ROOFS

The design of a louvered roof, also known as a bioclimatic pergola, allows for natural regulation of temperature and light.

By adjusting the louvers, you can control both sunlight and airflow to maintain comfort in any season. This creates a pleasant outdoor environment that adapts to changing weather conditions throughout the year.



CABBANA

Motorized

Rotatable Louvered Roof



LANAI

Motorized

Rotatable & Retractable Roof



LENORE

Non-Motorized

Fixed Louvered Roof



CABBANA

-Motorized Rotatable Louvered Roof

Engineered for year-round comfort, the Cabbana model offers a refined outdoor living solution with bioclimatic functionality at its core. Crafted entirely from high-grade aluminum, this louvered pergola system is designed for both durability and architectural elegance.



90-Degree Adjustable Louvers



Hidden Rain Gutter

SCHILOR

Color Options

Ral Texture



Wood Effect



Integrated Drainage System

Optional Side Closures
Compatible with glass panels
or vertical blinds





CABBANA

Cabbana isn't just a roof, it's a seamless extension of your living space.

With optional features like glass enclosures, insulated louvers, motorized blinds, integrated lighting, and heating systems, Cabbana is fully customizable to match your lifestyle and year-round comfort needs.



Custom Optional Features



Heater

Stay warm in cold weather with carbon infrared heaters, featuring an integrated shut-off timer for efficient and safe heating.



Perimeter Light

Featuring a sleek, modern design, this system illuminates the perimeter, enhancing both style and visibility.



LED Light UL

LED lighting is ideal for all roof systems where additional illumination is needed.



Fan Profile

Optional roof beam available for fan mounting across the structure.



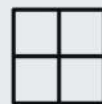
Polyurethan Foam

Fillers provide extra insulation and reduce noise from raindrops hitting the blades.



Wi-Fi

Control your entire system via mobile app and integrate it with your smart home ecosystem for effortless operation.



Glass Enclosure

Fully compatible with all glass systems for complete enclosure.



Sunshades

Motorized blinds or sliding shutters for added shade and privacy.





SCHILD



SCHLÖR

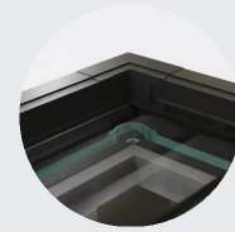
LANAI

-Motorized Rotatable & Retractable Louvered Roof

With the motorized operation, the roof can be effortlessly pivoted up to 90 degrees or completely retracted, allowing for up to 65% openness and adapting to the changing seasons.



Pivoting up to 90°
Retracting up to 65%



Hidden
Rain Gutter

SCHILDOR

Color Options

Ral Texture



Wood Effect



Integrated
Drainage System

Optional Side Closures
Compatible with glass panels
or vertical blinds



SCHILDR

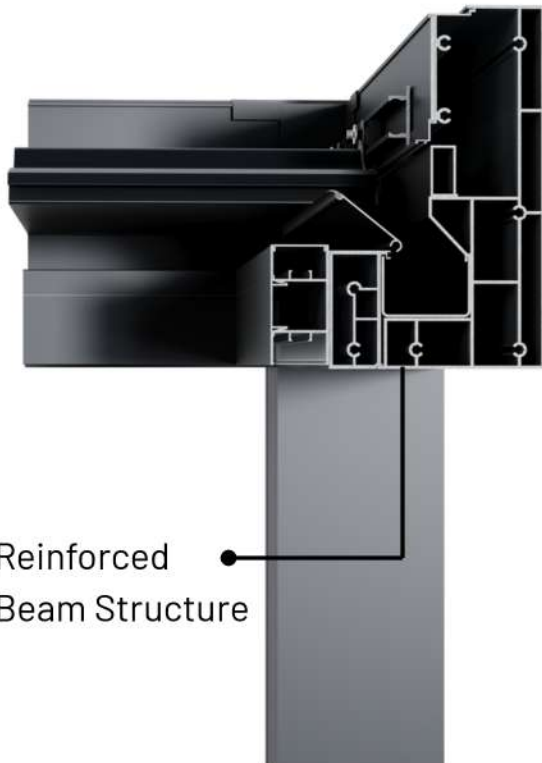


SCHILDOR

LANAI

Lanai isn't just a shelter, it's a dynamic solution for adaptable outdoor living.

With its retractable and rotatable louvers, optional insulated panels, glass enclosures, and smart accessories like lighting and heating systems, Lanai is designed to deliver comfort and control, no matter the season.



Custom Optional Features



Heater

Stay warm in cold weather with carbon infrared heaters, featuring an integrated shut-off timer for efficient and safe heating.



Perimeter Light

Featuring a sleek, modern design, this system illuminates the perimeter, enhancing both style and visibility.



LED Light UL

LED lighting is ideal for all roof systems where additional illumination is needed.



Fan Profile

Optional roof beam available for fan mounting across the structure.



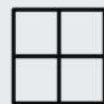
Polyurethane Foam

Fillers provide extra insulation and reduce noise from raindrops hitting the blades.



Wi-Fi

Control your entire system via mobile app and integrate it with your smart home ecosystem for effortless operation.



Glass Enclosure

Fully compatible with all glass systems for complete enclosure.



Sunshades

Motorized blinds or sliding shutters for added shade and privacy.



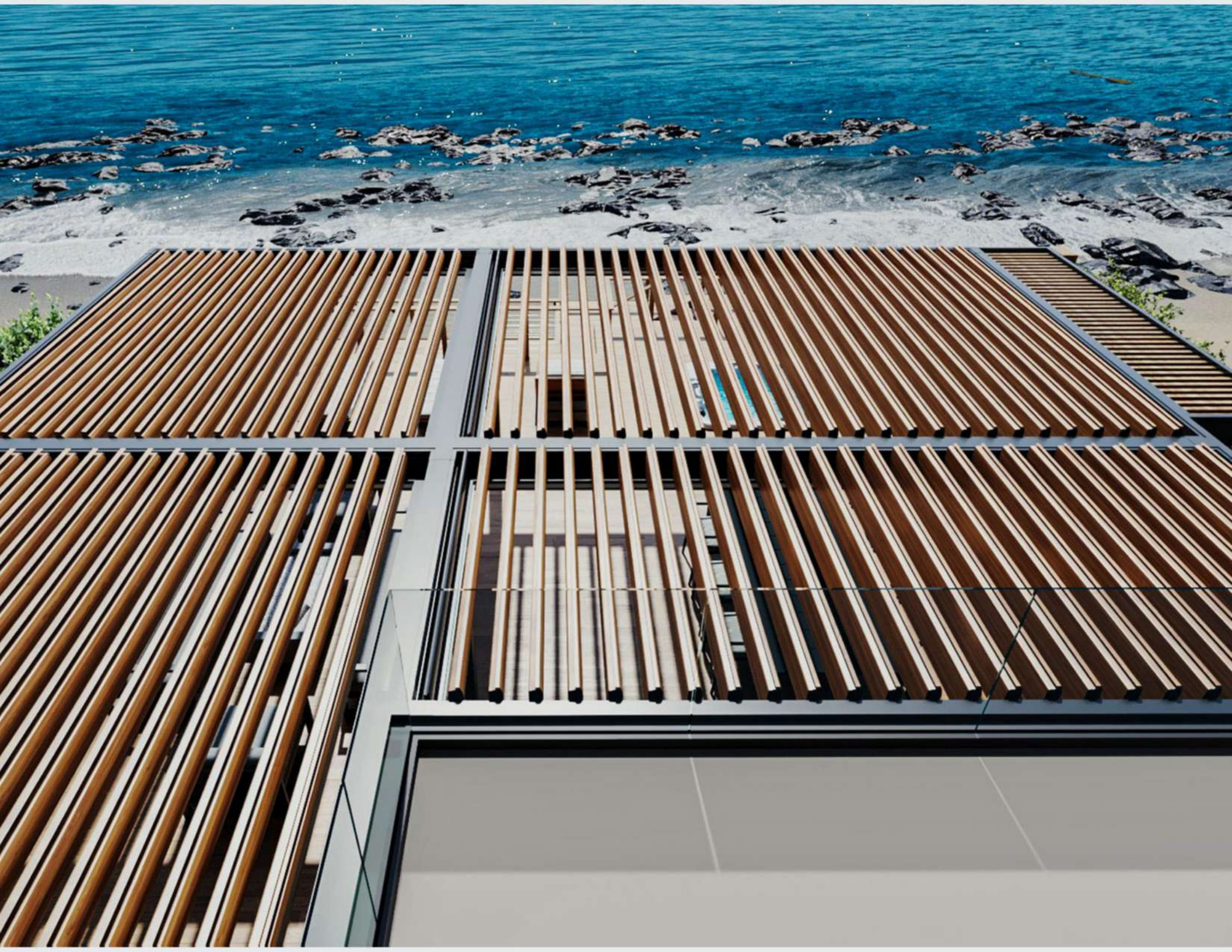
SCHLÖSSER

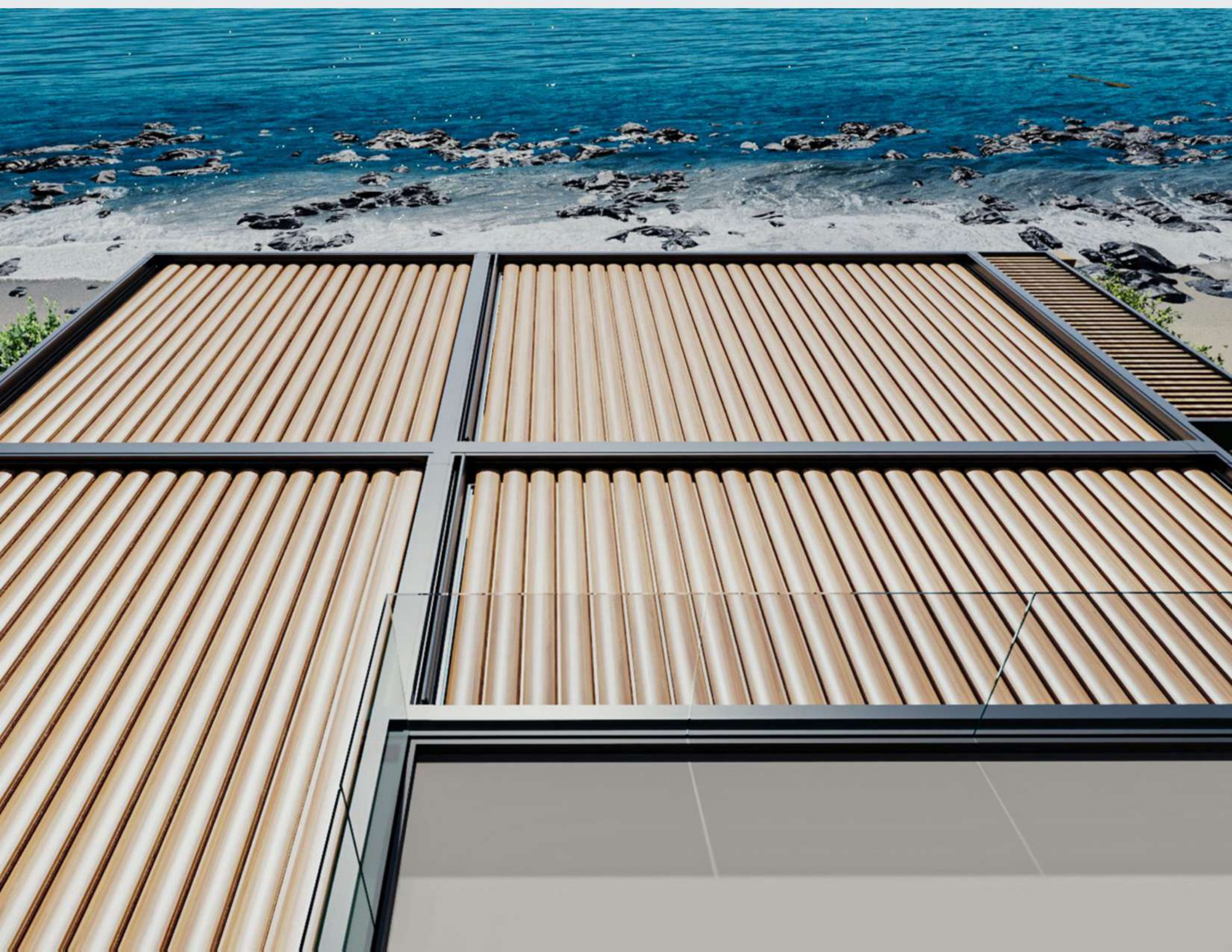


 SCHLÖR









LENORE

-Non-Motorized Fixed Louvered Roof

Lenore is a durable, fixed louvered roof designed for all seasons. Made with fire-resistant materials, it ensures reliable protection and long-lasting performance.



90-Degree Adjustable Louvers



Hidden Rain Gutter

SCHILDOR

Color Options

Ral Texture



Wood Effect



Integrated Drainage System

Optional Side Closures
Compatible with glass panels
or vertical blinds



SCHLÖR

CG 632SR

ANH 7852



LENORE

Lenore isn't just a roof, it's a timeless solution for dependable outdoor coverage.

With its fixed louvered structure, fire-resistant materials, and clean architectural lines, Lenore offers lasting protection and peace of mind in every season without compromising on design.



Custom Optional Features



Heater

Stay warm in cold weather with carbon infrared heaters, featuring an integrated shut-off timer for efficient and safe heating.



Perimeter Light

Featuring a sleek, modern design, this system illuminates the perimeter, enhancing both style and visibility.



LED Light UL

LED lighting is ideal for all roof systems where additional illumination is needed.



Fan Profile

Optional roof beam available for fan mounting across the structure.



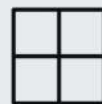
Polyurethane Foam

Fillers provide extra insulation and reduce noise from raindrops hitting the blades.



Wi-Fi

Control your entire system via mobile app and integrate it with your smart home ecosystem for effortless operation.



Glass Enclosure

Fully compatible with all glass systems for complete enclosure.



Sunshades

Motorized blinds or sliding shutters for added shade and privacy.



SCHILOR

CG 632SR

ANH 7852



GLASS ROOFS

The design of a glass roof system provides year-round protection without sacrificing natural light.

Its transparent structure allows for unobstructed views and a bright, open atmosphere while shielding the space from rain, wind, and UV exposure. This creates a comfortable outdoor environment that feels connected to nature in every season.



PANORA
Flat Glass Roof



GRANDE
Sloped Glass Roof



ROOMY
Gable Glass Roof



POLAD
Multi-Sloped Glass Roof



DYNAMIC
Motorized Retractable Glass Roof



-ALUPANEL

Available as a full-coverage alternative to glass roofs.



SCHILDR

PANORA

-Flat Glass Roof

Panora adds architectural elegance and year-round usability to your space. Crafted with durable glass and sleek lines, it offers a bright, luxurious retreat that blends style and function.



Single / Double Glass
or Alupanel



Hidden
Rain Gutter

SCHILDR

Color Options

Ral Texture



Wood Effect



Integrated
Drainage System

Optional Side Closures
Compatible with glass panels
or vertical blinds



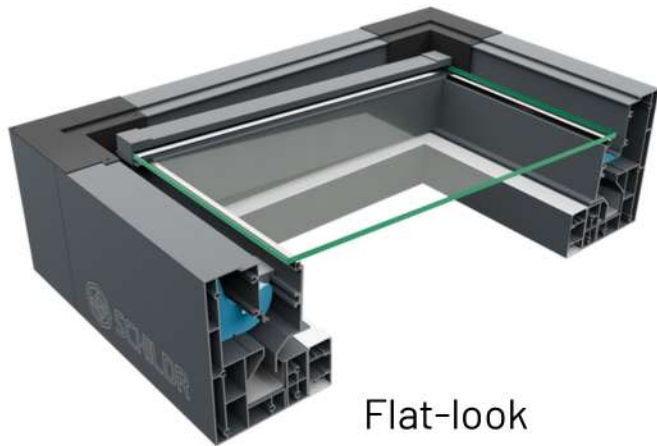




PANORA

Panora is a modern glass roof system that enhances your space with light, visibility, and protection.

Its minimalist form and high-performance structure deliver lasting usability without interrupting the visual connection to the outdoors.



Flat-look
Sloped Design

Custom Optional Features



Heater

Stay warm in cold weather with carbon infrared heaters, featuring an integrated shut-off timer for efficient and safe heating.



Perimeter Light

Featuring a sleek, modern design, this system illuminates the perimeter, enhancing both style and visibility.



LED Light UL

LED lighting is ideal for all roof systems where additional illumination is needed.



Fan Profile

Optional roof beam available for fan mounting across the structure.



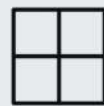
Alucobond Panels

Glass panels can be replaced with the alupanel to provide shade and insulation.



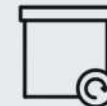
Thermal Glass Options

Can be configured with single or double pane glass to suit various climate and comfort requirements.



Glass Enclosure

Fully compatible with all glass systems for complete enclosure.



Sunshades

Motorized blinds or sliding shutters for added shade and privacy.





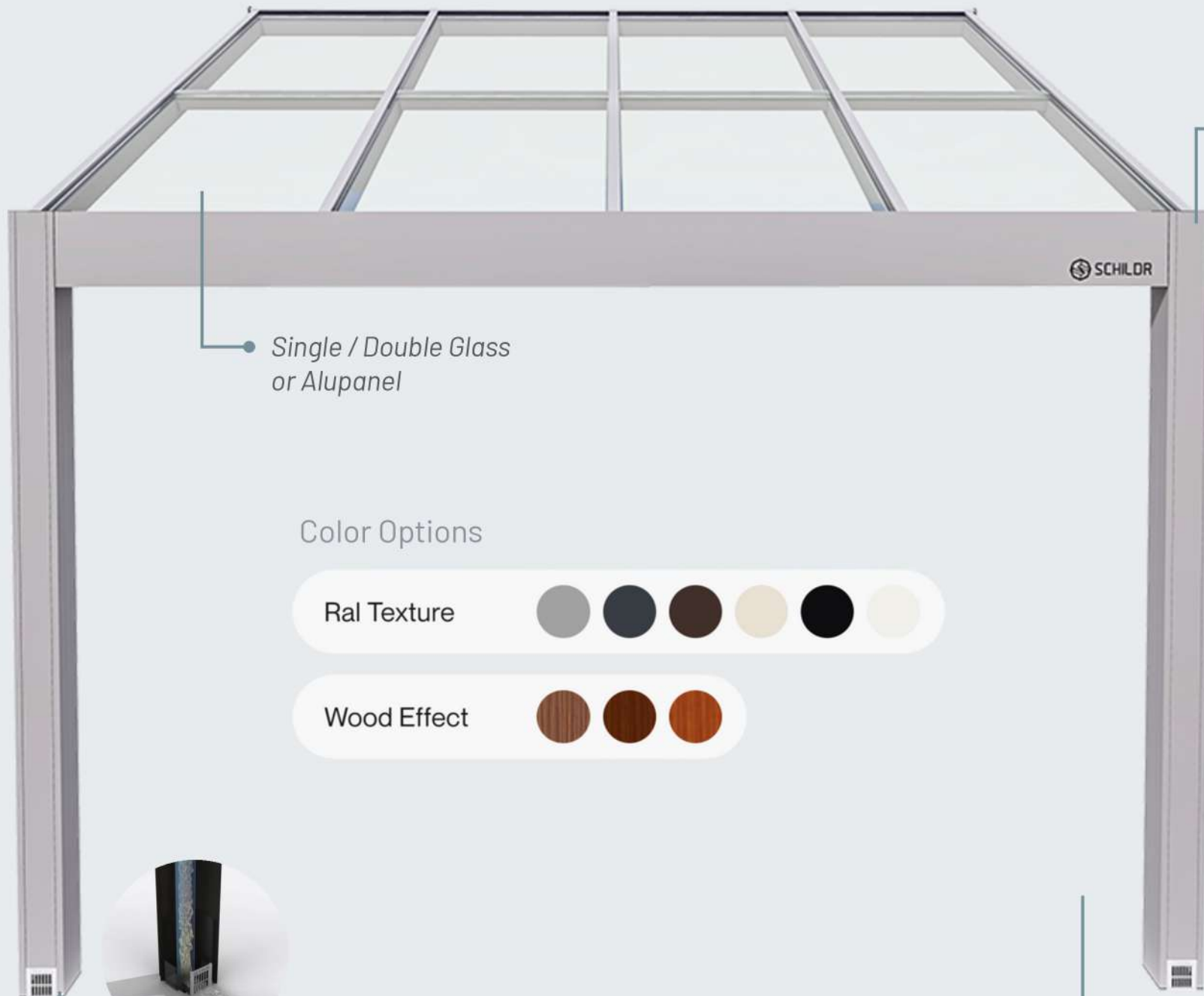


GRANDE

-Sloped Glass Roof

The Grande sunroom is a modern classic with a timeless sloped roof that brings light, comfort, and architectural harmony together. Designed for all-season living, it blends indoor refinement with outdoor openness.





Hidden Rain Gutter



Single / Double Glass or Alupanel

Color Options

Ral Texture

Color swatches: light gray, dark gray, dark brown, light beige, black, off-white

Wood Effect

Color swatches: light wood grain, medium wood grain, dark wood grain



Integrated Drainage System

Optional Side Closures
Compatible with glass panels or vertical blinds



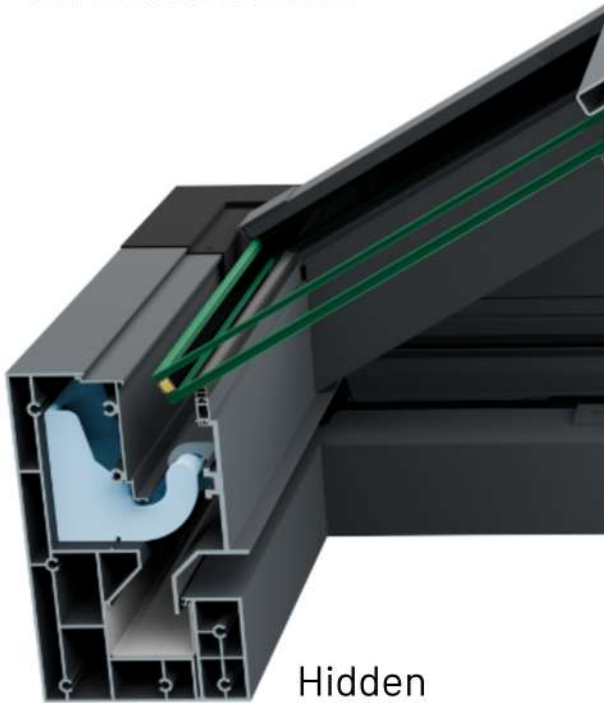




GRANDE

Grande is a timeless sloped-roof sunroom system that brings comfort, shade, and architectural elegance to your outdoor space.

Its iconic profile and insulated structure ensure year-round usability while blending seamlessly with both modern and traditional homes.



Hidden
Drainage System

Custom Optional Features



Heater

Stay warm in cold weather with carbon infrared heaters, featuring an integrated shut-off timer for efficient and safe heating.



Perimeter Light

Featuring a sleek, modern design, this system illuminates the perimeter, enhancing both style and visibility.



LED Light UL

LED lighting is ideal for all roof systems where additional illumination is needed.



Fan Profile

Optional roof beam available for fan mounting across the structure.



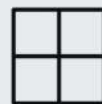
Alucobond Panels

Glass panels can be replaced with the alupanel to provide shade and insulation.



Thermal Glass Options

Can be configured with single or double pane glass to suit various climate and comfort requirements.



Glass Enclosure

Fully compatible with all glass systems for complete enclosure.



Sunshades

Motorized blinds or sliding shutters for added shade and privacy.



SCHLÖSSER



© ECHLOR

ROOMY

-Gable Glass Roof

Roomy is a gable-roof sunroom that combines spacious design with timeless architectural form.

Its pitched roof and wide openings create a bright, open environment that blends year-round comfort with visual impact.



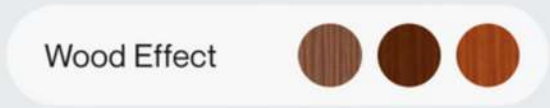
Single/Double Glass
or Alupanel



Hidden
Rain Gutter

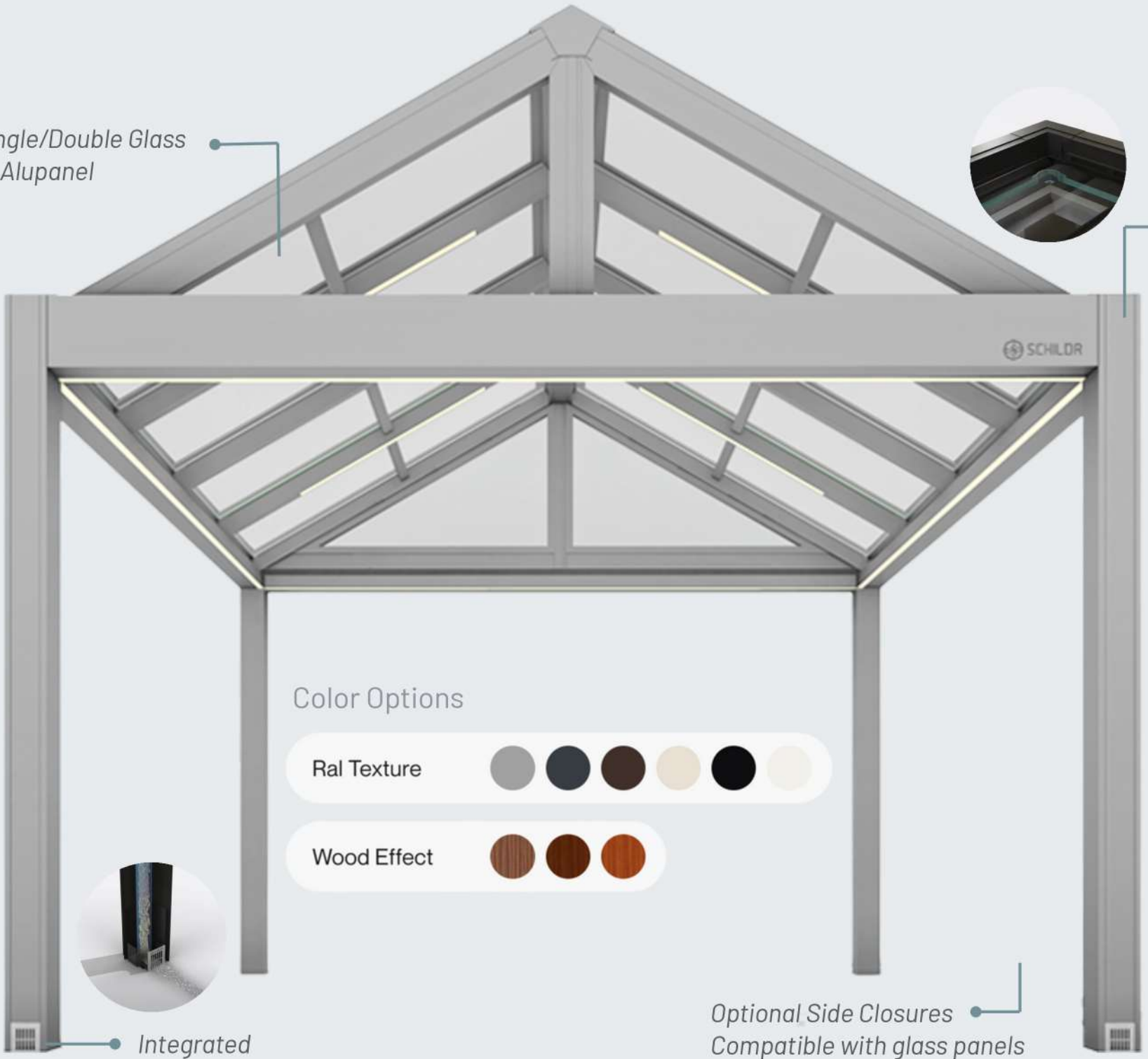
SCHILDOR

Color Options



Integrated
Drainage System

Optional Side Closures
Compatible with glass panels
or vertical blinds





SCHLÖSSER

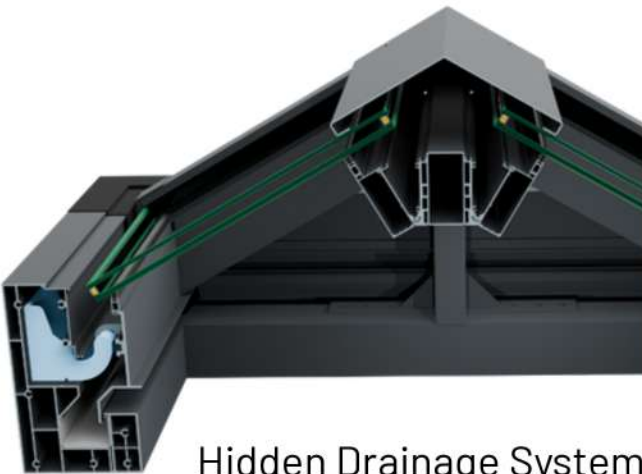


SCHÜCO

ROOMY

Roomy is a gable-roof sunroom designed to bring height, openness, and classic form to any outdoor setting.

Its pitched roofline not only enhances vertical space but also creates a distinctive architectural statement that feels both expansive and inviting.



Custom Optional Features



Heater

Stay warm in cold weather with carbon infrared heaters, featuring an integrated shut-off timer for efficient and safe heating.



Perimeter Light

Featuring a sleek, modern design, this system illuminates the perimeter, enhancing both style and visibility.



LED Light UL

LED lighting is ideal for all roof systems where additional illumination is needed.



Fan Profile

Optional roof beam available for fan mounting across the structure.



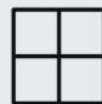
Alucobond Panels

Glass panels can be replaced with the alupanel to provide shade and insulation.



Thermal Glass Options

Can be configured with single or double pane glass to suit various climate and comfort requirements.



Glass Enclosure

Fully compatible with all glass systems for complete enclosure.



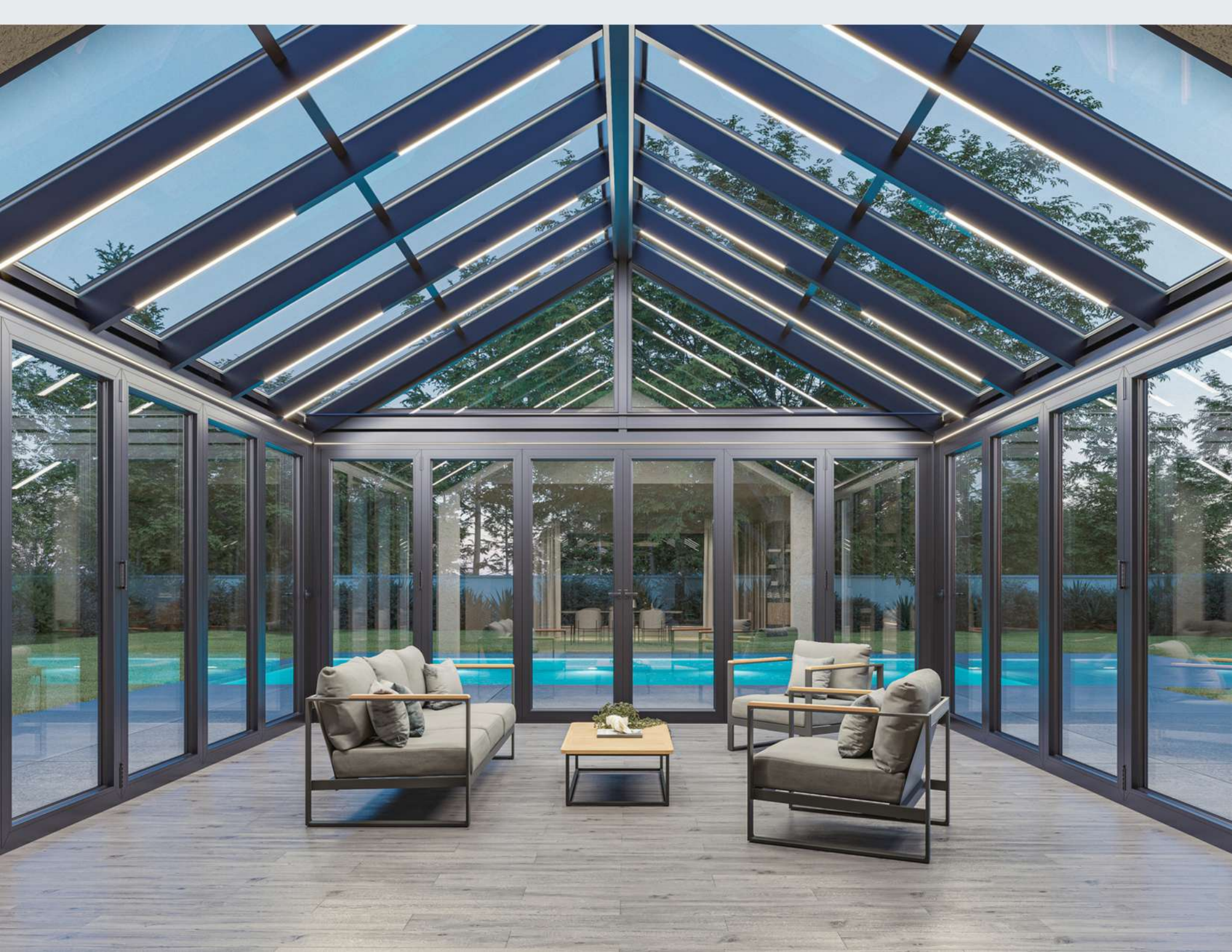
Sunshades

Motorized blinds or sliding shutters for added shade and privacy.









POLAD

-Multi-Sloped Glass Roof

Polad is a multi pitched glass roof designed for low-eaved homes, bringing height, light, and elegant structure. Its rising roofline creates generous ceiling space that fits effortlessly into any home, no matter its existing height.



Single/Double Glass
or Alupanel



Hidden
Rain Gutter

SCHILDR

Color Options

Ral Texture



Wood Effect



Optional Side Closures
Compatible with glass panels
or vertical blinds



Integrated
Drainage System

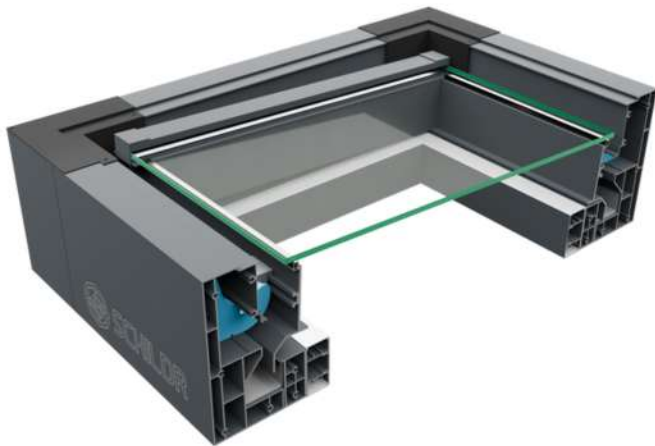




POLAD

Polad is a multi pitched-roof sunroom made for low-eaved homes, delivering height, light, and elegance in one clean design.

Its elevated roofline allows for generous ceiling height, offering a striking, modern sunroom alternative that integrates seamlessly with any home, regardless of its original roof height.



Starts Low / Rises Bold

Custom Optional Features



Heater

Stay warm in cold weather with carbon infrared heaters, featuring an integrated shut-off timer for efficient and safe heating.



Perimeter Light

Featuring a sleek, modern design, this system illuminates the perimeter, enhancing both style and visibility.



LED Light UL

LED lighting is ideal for all roof systems where additional illumination is needed.



Fan Profile

Optional roof beam available for fan mounting across the structure.



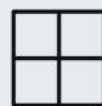
Alucobond Panels

Glass panels can be replaced with the alupanel to provide shade and insulation.



Thermal Glass Options

Can be configured with single or double pane glass to suit various climate and comfort requirements.



Glass Enclosure

Fully compatible with all glass systems for complete enclosure.



Sunshades

Motorized blinds or sliding shutters for added shade and privacy.



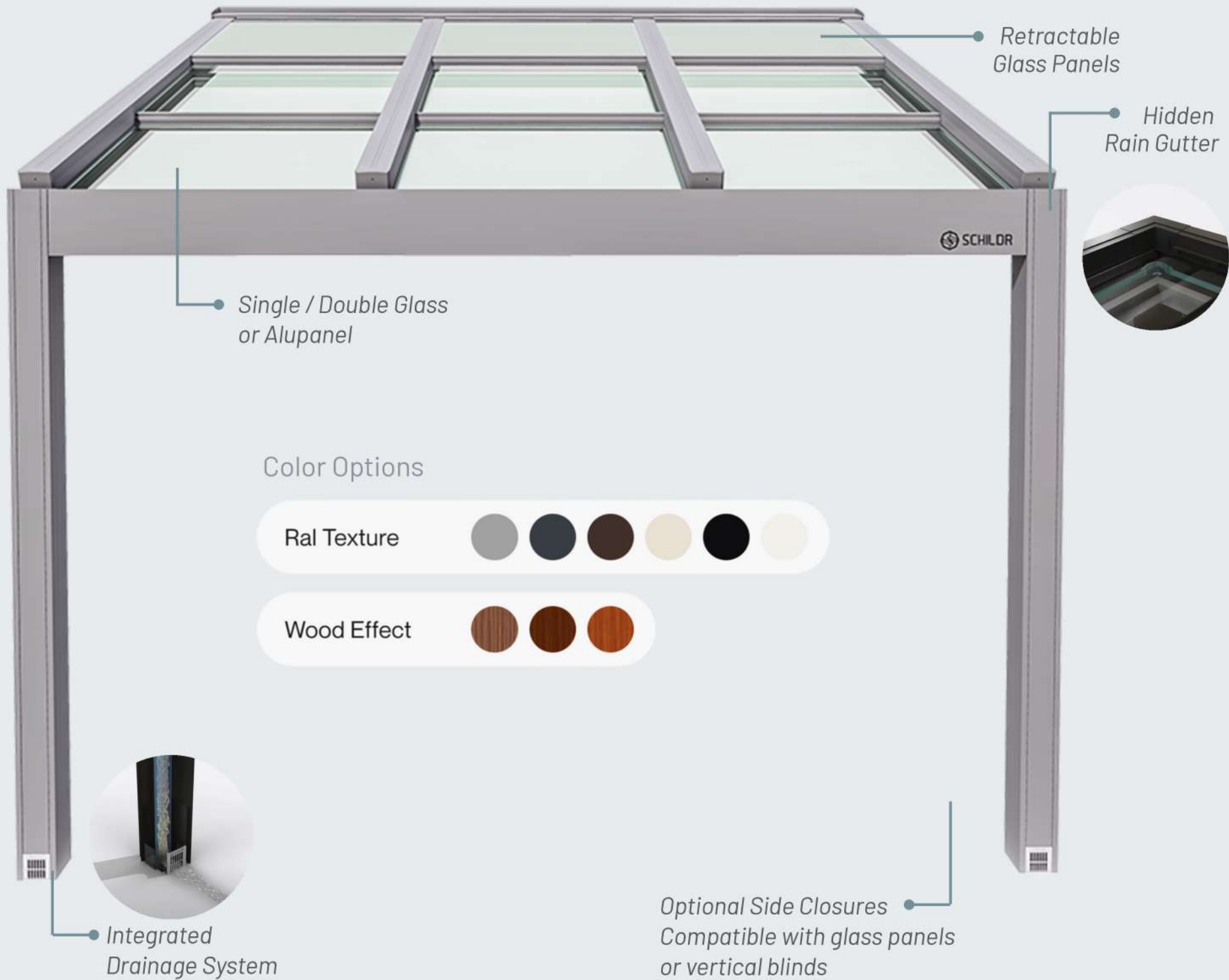
SCHLÖSSER

DYNAMIC

-Motorized Retractable Glass Roof

Dynamic redefines versatility in outdoor living with its motorized glass roof system. Designed to offer seamless control, it adapts to your needs, whether you're enjoying the open sky or seeking shelter from the elements.





Retractable Glass Panels

Hidden Rain Gutter

Single / Double Glass or Alupanel

SCHILOR

Color Options

Ral Texture



Wood Effect



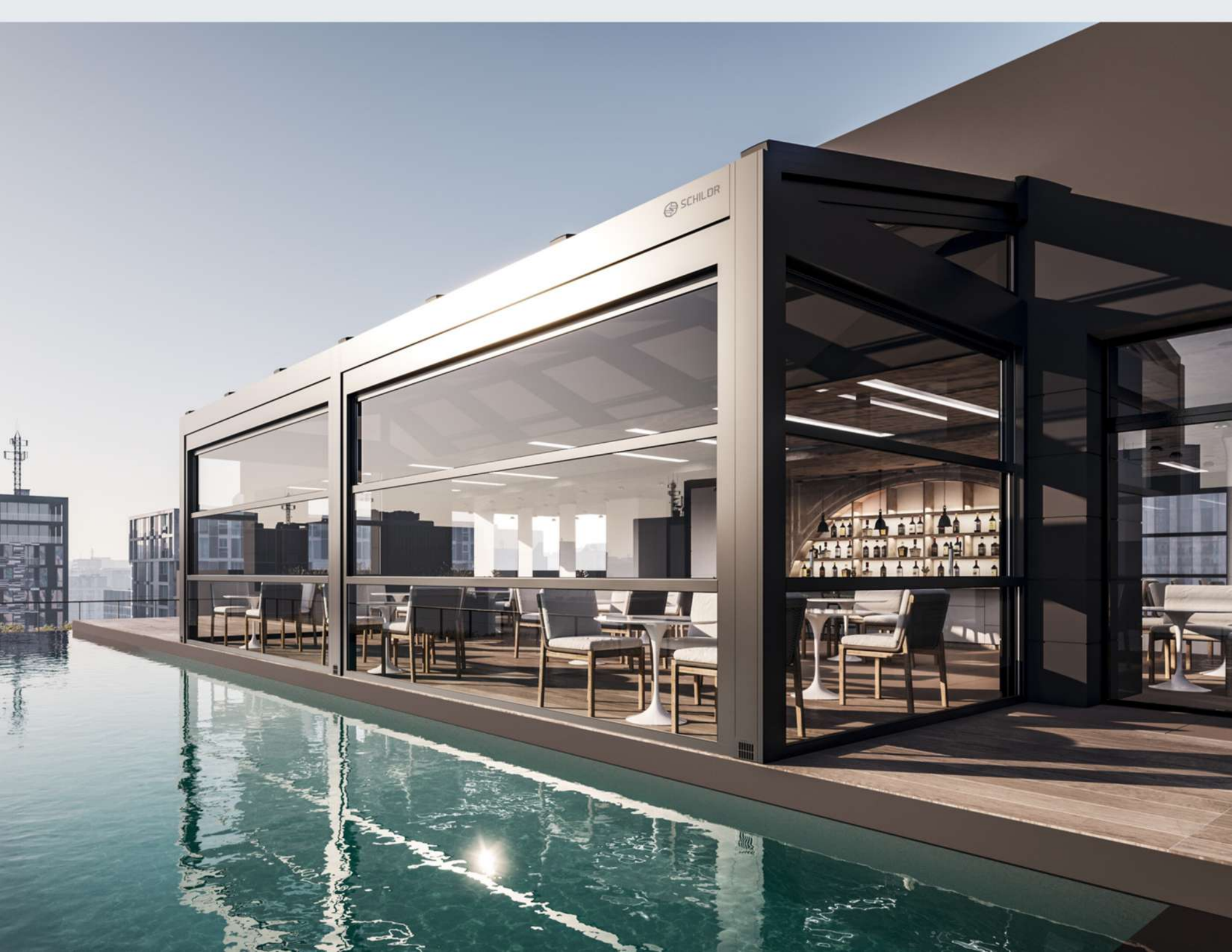
Integrated Drainage System



Optional Side Closures
Compatible with glass panels
or vertical blinds



SCHILD

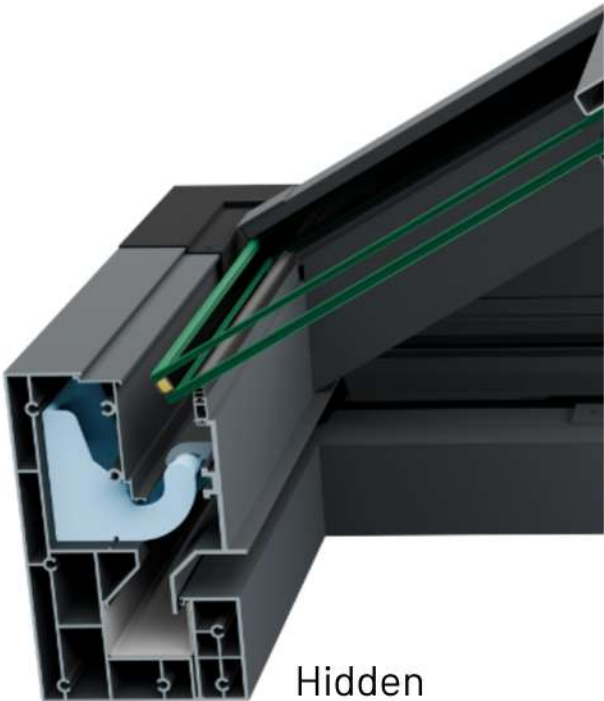


SCHILDR

DYNAMIC

Dynamic is a motorized glass roof system designed to adapt to shifting needs and changing skies.

With its retractable glass panels, Dynamic offers seamless transitions between open sky and covered comfort, making it a perfect fit for both residential and commercial settings.



Hidden
Drainage System

Custom Optional Features



Heater

Stay warm in cold weather with carbon infrared heaters, featuring an integrated shut-off timer for efficient and safe heating.



Perimeter Light

Featuring a sleek, modern design, this system illuminates the perimeter, enhancing both style and visibility.



LED Light UL

LED lighting is ideal for all roof systems where additional illumination is needed.



Fan Profile

Optional roof beam available for fan mounting across the structure.



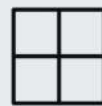
Wi-Fi

Control your entire system via mobile app and integrate it with your smart home ecosystem for effortless operation.



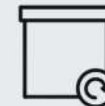
Thermal Glass Options

Can be configured with single or double pane glass to suit various climate and comfort requirements.



Glass Enclosure

Fully compatible with all glass systems for complete enclosure.



Sunshades

Motorized blinds or sliding shutters for added shade and privacy.

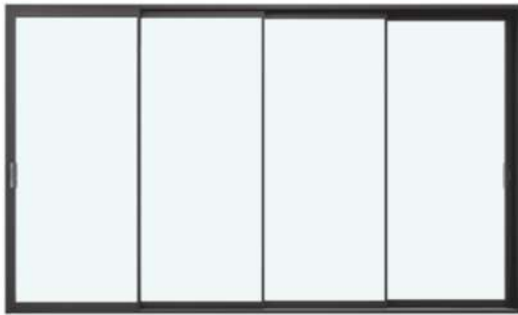


SCHLÖR



SUBSYSTEMS

One of the key benefits of our systems is flexibility in design. Our customizable glass doors and windows allow you to select the size, glass type, and frame color that match your project's unique needs. From frameless sliding glass doors to oversized folding doors, we offer contemporary solutions that elevate both residential and commercial spaces.



CLASSY

Insulated Double Pane
Sliding Glass



MINIMA

Single Pane
Sliding Glass



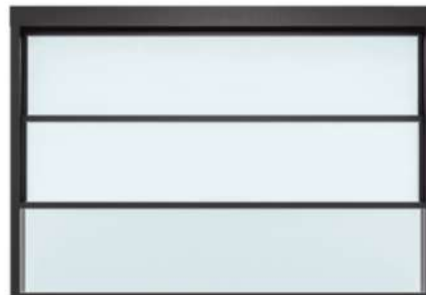
BIFOLD

Insulated Double Pane
Folding Glass Panels



LIFT & SLIDE DOOR

Insulated Double Pane
Wide Sliding Glass



COMPACT

Insulated Double Pane
Motorized Guillotine Window



-ALUPANEL

Available as a full-coverage alternative to windows and doors.



CLASSY

-Insulated Double Pane Sliding Glass

Effortlessly slide the panels to open up your space or create a sheltered environment. Ideal for both residential and commercial applications, Classy brings a refined aesthetic to any outdoor area.





Color Options

Ral Texture



Wood Effect



Double Glass

Double-layer glass design ensures superior insulation and protection.



Heat Insulation

Specially crafted aluminum material offers additional insulation.



Rail Options

Available with double, triple, or quadruple rail configurations, allowing wings to extend up to twice the length of each rail.



Offers heat-insulated LOW-E laminated glass and 2, 3, 4 track insulated sliding.

MINIMA

-Single Pane Sliding Glass

Offering unobstructed views and effortless operation, Minima is the perfect choice for those who value simplicity and elegance in their outdoor spaces.





Color Options

Ral Texture



Wood Effect



Transparent wick

Wider viewing angle thanks to the transparent wick option.



Insulated Seals

Aluminum seals improve thermal insulation.



Rail Options

Available with double, triple, or quadruple rail configurations, allowing wings to extend up to twice the length of each rail.

A glass system that slides to both sides and opens up to 80%.

BIFOLD DOOR

-Insulated Double Pane Folding Glass Panels

Bifold offers a stylish and practical solution for maximizing space with its elegant folding glass panels. Designed for seamless operation, this system allows you to easily open up your space or create a sheltered environment.





Color Options

Ral Texture



Wood Effect



Heat Insulation

Specially crafted aluminum material offers additional insulation.



Large Glass Panels

Engineered to support wide glass dimensions for an open, airy feel.



Secure Lock Mechanism

The advanced lock mechanism provides optimal security, ensuring protection against potential threats.



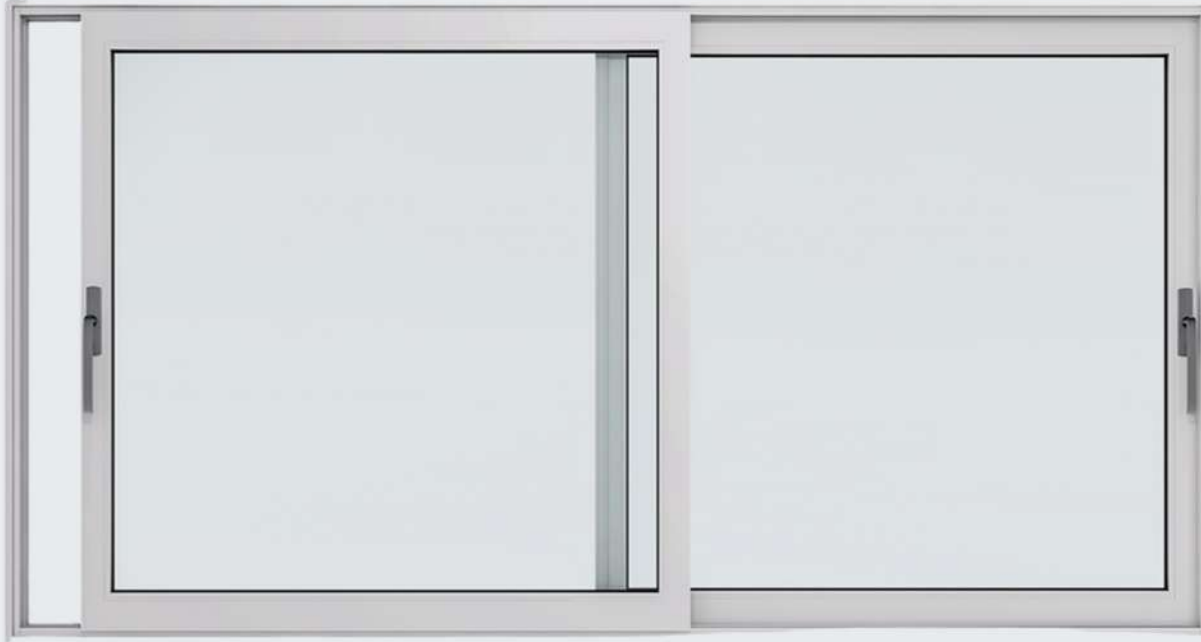
Different glass types and thicknesses can be used in the bifold door system.

LIFT & SLIDE DOOR

-Insulated Double Pane Wide Sliding Glass

This system is designed to maximize space and enhance the flow between indoor and outdoor areas, making it ideal for modern living and commercial spaces alike.





Color Options

Ral Texture



Wood Effect



Heat Insulation

Specially crafted aluminum material offers additional insulation.



Large Glass Panels

Engineered to support wide glass dimensions for an open, airy feel.



Secure Lock Mechanism

The advanced lock mechanism provides optimal security, ensuring protection against potential threats.

Different glass types and thicknesses can be used in the lift and slide door system.

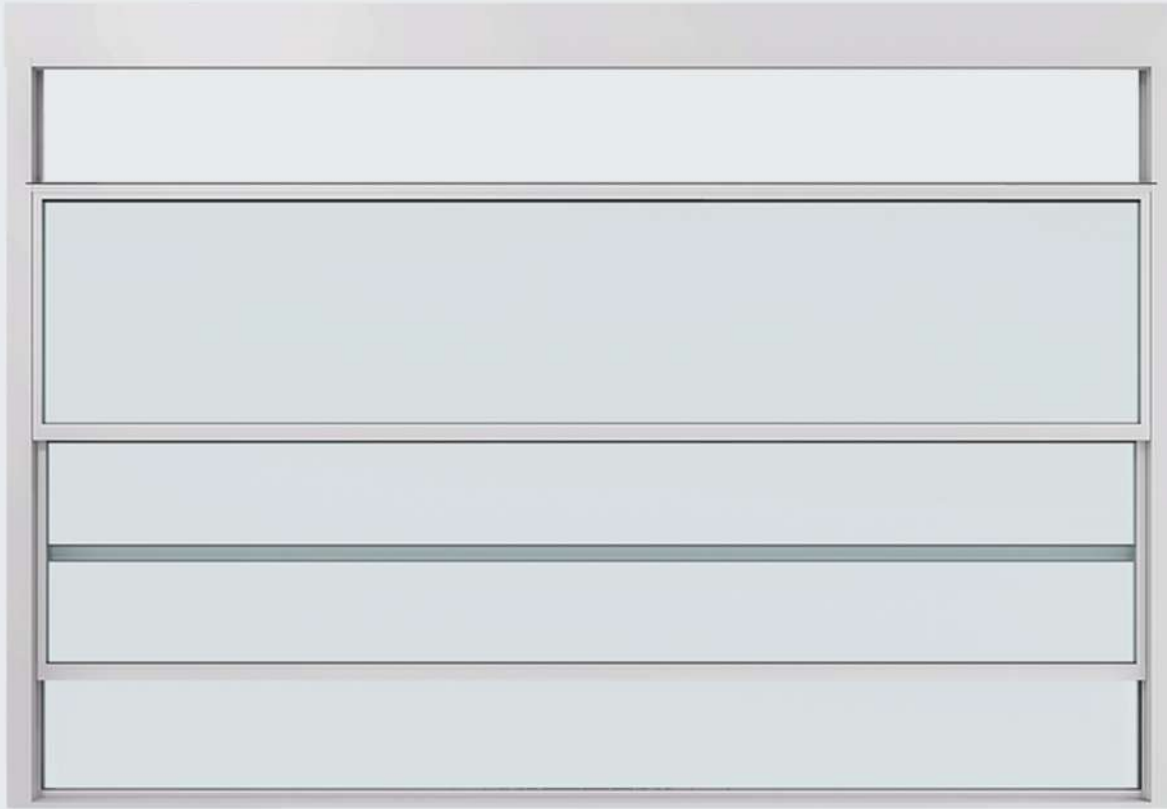
COMPACT

-Insulated Double Pane Wide Sliding Glass

Compact is a high-performance system with motorized guillotine windows, ideal for commercial or residential use.

Compact's double-glass and aluminum frame offer a sleek, efficient solution for comfort and control.





Color Options

Ral Texture



Wood Effect



Thermal break aluminum and tempered, insulated glass.



Heat Insulation

Specially crafted aluminum material offers additional insulation.



Double Glass

Double-layer glass design ensures superior insulation and protection.



Remote Control

The guillotine windows can be opened and closed using a remote control.

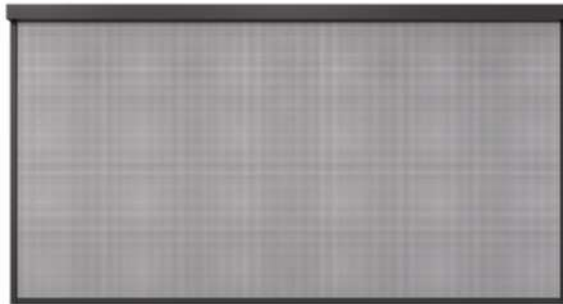
SUNSHADES

Our shading systems are designed for full integration and effortless control.

Motorized vertical blinds can be added to any of our structures—on their own or alongside glass systems—while roof blinds provide adaptable coverage for glass roofs. All shading options are remote or app-controlled, except for the manual Zion shutter.



ZION
Sliding Shutter System



FORTE
Motorized Vertical Blinds



CAPELLA
Motorized Roof Blinds



ZION

-Sliding Shutter System

Zion combines natural aesthetics with modern functionality, offering a wood-look aluminum shutter system that enhances any outdoor space.





Color Options

Ral Texture



Wood Effect



Sun Protection

Adjustable shading based on the sun's angle.



Adjustable Louvers

Lamellae can be angled as desired.



Sliding Panels

Side facades feature sliding shading systems.

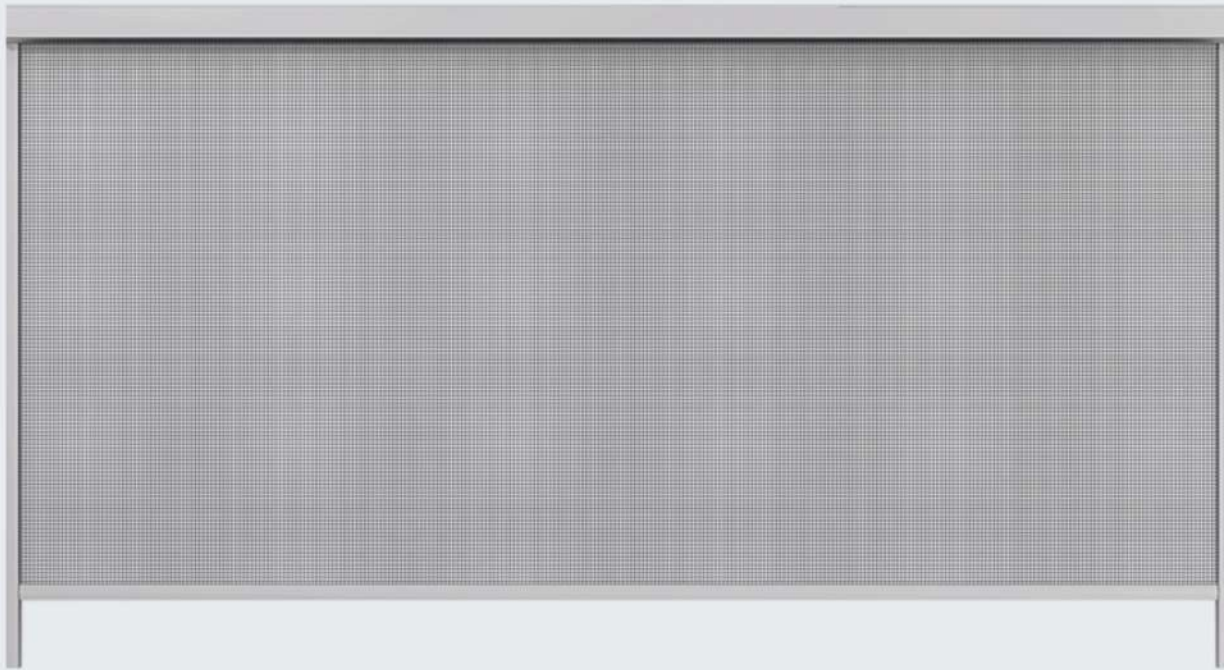
Wood-Look Aluminum Shutter

FORTE

-Motorized Vertical Blinds

Forte offers privacy and sun protection with its motorized curtain system, designed to shield your space from harsh sunlight and prying eyes.





Color Options

Ral Texture



Wood Effect



Effectively filter solar heat and glare, providing UV protection, thermal control, and visual comfort in outdoor living spaces.

Serge Ferrari



Fire Resistant

Made from non-flammable materials that do not contribute to ignition.



Wind Resistance

The sturdy fabric ensures comfortable use even in windy conditions.



Fabric Quality

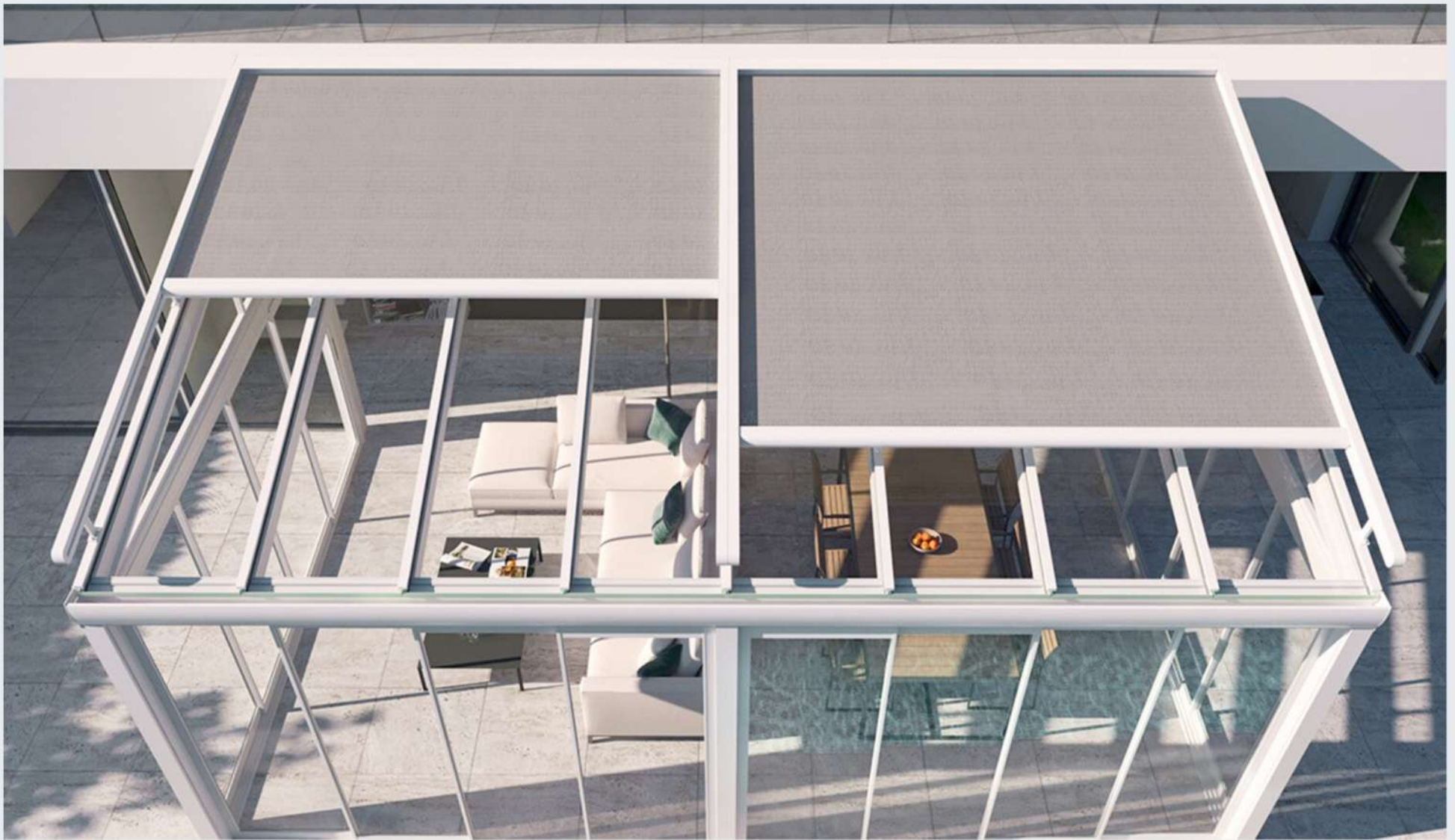
We use premium-grade Italian outdoor fabric called Serge Ferrari, trusted by luxury brands around the world.

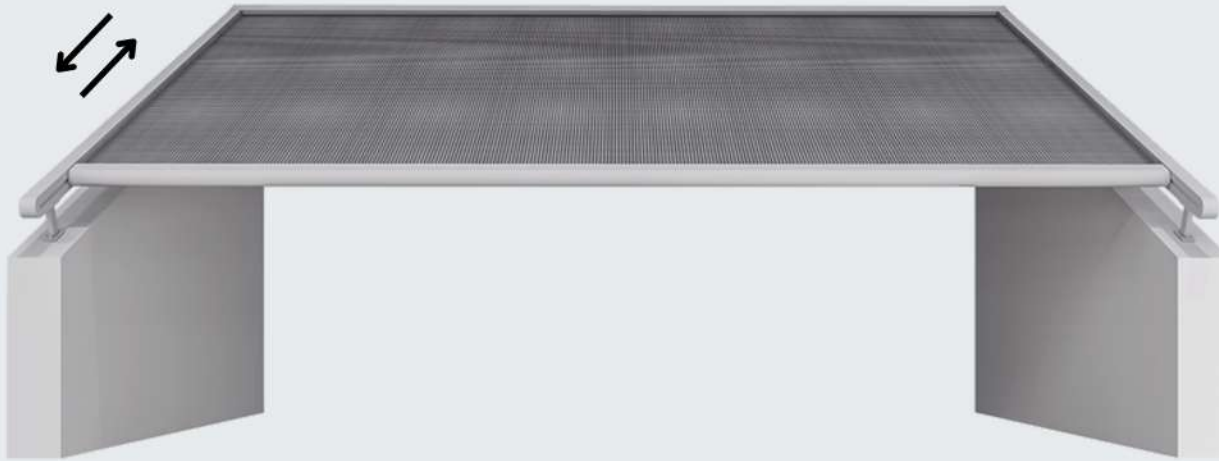
Depending on the fabric color, Soltis 86 and 92 can block up to 97% of solar radiation, significantly reducing heat and glare in outdoor environments.

CAPELLA

-Motorized Roof Blinds

Capella enhances your outdoor space with its elegant curtain system, designed to provide adjustable shading and protection above or under glass roofs.





Dual Mounting Options: Above or Under Glass Roof

Effectively filter solar heat and glare, providing UV protection, thermal control, and visual comfort in outdoor living spaces.

Serge Ferrari



Fire Resistant

Made from non-flammable materials that do not contribute to ignition.



Wind Resistance

The sturdy fabric ensures comfortable use even in windy conditions.



Fabric Quality

We use premium-grade Italian outdoor fabric called Serge Ferrari, trusted by luxury brands around the world.

Color Options

Ral Texture



Wood Effect



Depending on the fabric color, Soltis 86 and 92 can block up to 97% of solar radiation, significantly reducing heat and glare in outdoor environments.



HOW WE WORK



FREE CONSULTATION

We offer a complimentary consultation to understand your space, needs, and design preferences. This is where we align expectations and explore custom possibilities.



FIELD MEASUREMENT

Accurate on-site measurements are taken to ensure a perfect fit and seamless integration with your existing architecture.

We prepare detailed technical drawings tailored to your project, ensuring design clarity and structural accuracy.



ARCHITECTURAL DRAWINGS

Once the drawings are finalized, we review the entire project with you for final approval before proceeding to production.



PROJECT APPROVAL

Your system is manufactured with precision at our facility, using high-quality materials and strict quality control protocols.



PRODUCTION PROCESS



SHIPPING & HANDLING

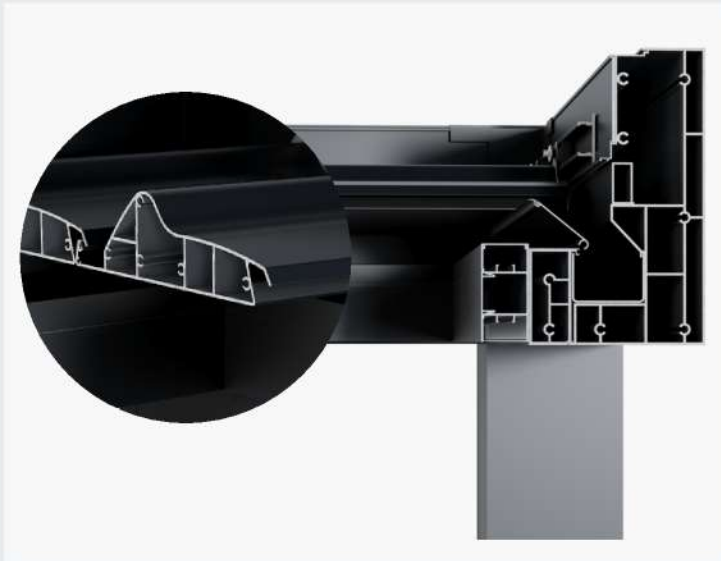
All components are professionally packed and shipped with care to guarantee they arrive safely and on schedule.



INSTALLATION & HAND OVER

We partner with our trusted local general contractors to ensure professional installation. Once complete, the system is thoroughly checked and handed over ready for use.

WHY CHOOSE US



VS



✓ High-Density Aluminum Profiles

Our systems are built with 100% high-density aluminum, offering exceptional strength, long-term durability, and superior resistance to environmental factors.

✓ Reinforced Beam Structure

Engineered to handle wider spans without compromising aesthetics or stability. Ideal for both residential and commercial projects.

✓ Multi-Chamber Louvre System

This unique design ensures better thermal performance, wind resistance, and structural integrity, especially under heavy loads.

✓ Hidden Drainage System

Our integrated PVC piping ensures water is efficiently drained inside the structure. No visible pipes, no risk of corrosion.

✓ Custom-Built Solutions

Forget standard sizes. We design every system to fit your space perfectly, from pergolas to sunrooms. Tailored to your needs, site, and lifestyle.

✓ Sleek, Modern Aesthetic

With our hidden floor-mounting system and flush profile finishes, you get a clean, architectural look, no bulky base plates or exposed fasteners.

✗ Thin material

✗ Tube-shaped aluminum profiles

✗ Limited design and sizing flexibility

✗ Surface-level drainage systems prone to clogging

✗ Generic, mass-produced frames

✗ Basic structural integrity, especially under load

✗ Visible external mounting plates

GET IN TOUCH

Feel free to e-mail, text or call: **Merve Tan**



mervetan@arkitan.com



+1-949-997-7183

sales@arkitan.com

+1-424-303-6500

145 W Broadway, Long Beach, CA 90802



@arkitanoutdoorliving



/arkitanoutdoorliving



/arkitanoutdoorliving



www.arkitan.com



OUTDOOR LIVING